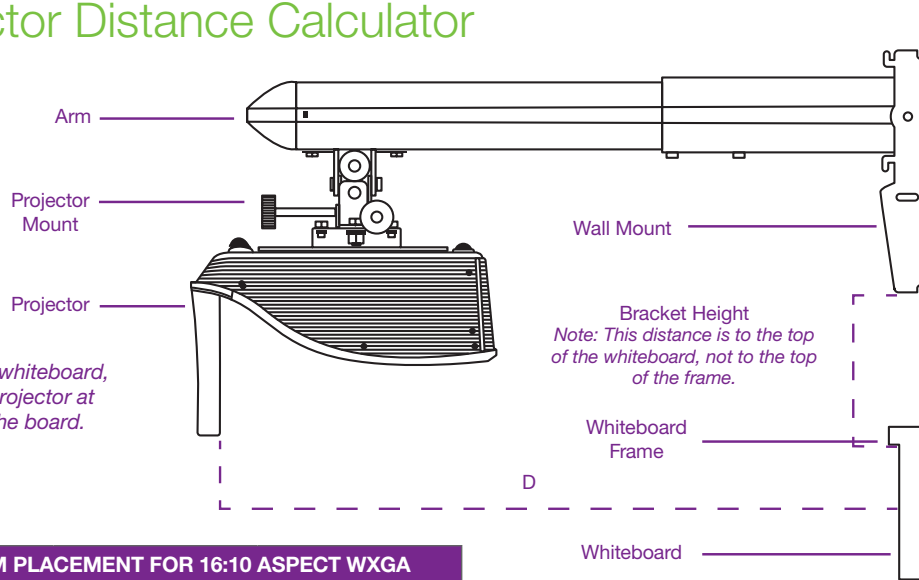


MimioProjector Distance Calculator

When centering on your whiteboard, position the lens of the projector at the horizontal center of the board.



This illustration shows the projector without the wall mount cover.

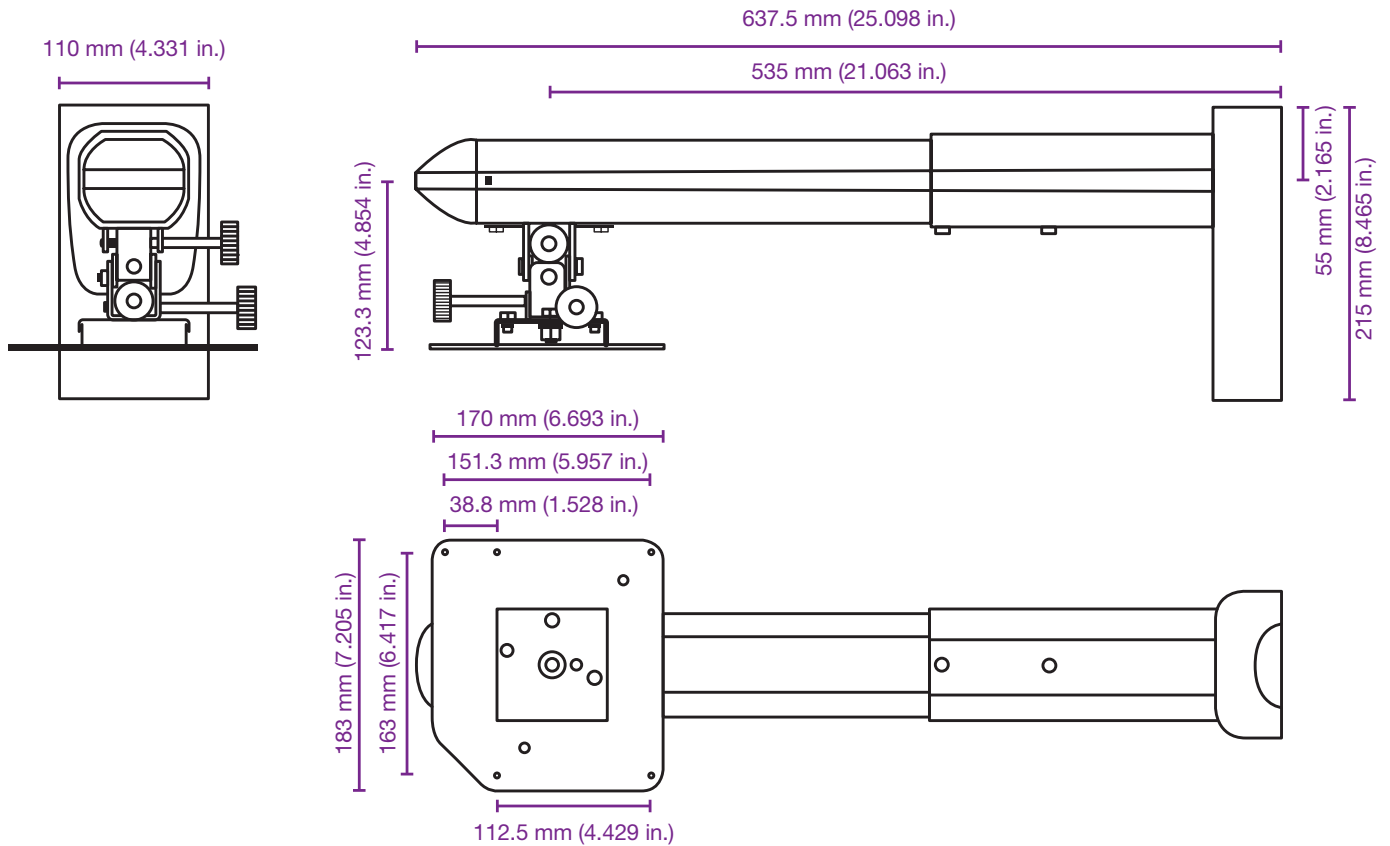
MOUNTING ARM PLACEMENT FOR 16:10 ASPECT WXGA

DIAGONAL WXGA	DISTANCE (D)	BRACKET HEIGHT
70	20.34 (516.51)	10.31 (261.94)
71	20.65 (524.43)	10.45 (265.31)
72	20.96 (532.36)	10.58 (268.68)
73	21.27 (540.3)	10.71 (272.04)
74	21.59 (548.26)	10.84 (275.41)
75	21.9 (556.23)	10.98 (278.77)
76	22.21 (564.22)	11.11 (282.14)
77	22.53 (572.23)	11.24 (285.5)
78	22.84 (580.25)	11.37 (288.87)
79	23.16 (588.28)	11.51 (292.23)
80	23.52 (597.45)	11.66 (296.1)
81	23.8 (604.4)	11.77 (298.96)
82	24.11 (612.48)	11.9 (302.33)
83	24.43 (620.57)	12.04 (305.7)
84	24.75 (628.68)	12.17 (309.06)
85	25.07 (636.81)	12.3 (312.43)
86	25.39 (644.95)	12.43 (315.79)
87	25.78 (654.83)	12.6 (319.93)
88	26.03 (661.18)	12.7 (322.52)
89	26.35 (669.26)	12.83 (325.89)
90	26.67 (677.36)	12.96 (329.25)
91	26.99 (685.47)	13.1 (332.62)
92	27.31 (693.59)	13.23 (335.99)
93	27.63 (701.73)	13.36 (339.35)
94	27.95 (709.88)	13.49 (342.72)
95	28.27 (718.04)	13.63 (346.08)
96	28.78 (731.07)	13.84 (351.47)
97	28.91 (734.41)	13.89 (352.81)
98	29.24 (742.61)	14.02 (356.18)
99	29.56 (750.82)	14.16 (359.54)
100	29.88 (759.05)	14.29 (362.91)

MOUNTING ARM PLACEMENT FOR 4:3 ASPECT XGA

DIAGONAL XGA	DISTANCE (D)	BRACKET HEIGHT
70	24.28 (616.72)	12.85 (326.45)
71	24.66 (626.31)	13.02 (330.74)
72	25.04 (635.91)	13.19 (335.02)
73	25.41 (645.54)	13.36 (339.31)
74	25.78 (654.83)	13.52 (343.43)
75	26.17 (664.67)	13.7 (347.89)
76	26.54 (674.18)	13.87 (352.17)
77	26.92 (683.7)	14.03 (356.46)
78	27.29 (693.25)	14.2 (360.75)
79	27.67 (702.8)	14.37 (365.03)
80	28.05 (712.38)	14.54 (369.32)
81	28.42 (721.97)	14.71 (373.61)
82	28.83 (732.27)	14.88 (377.89)
83	28.99 (736.28)	15.05 (382.18)
84	29.36 (745.86)	15.22 (386.47)
85	29.74 (755.46)	15.38 (390.76)
86	30.12 (765.08)	15.55 (395.04)
87	30.5 (774.71)	15.72 (399.33)
88	30.88 (784.36)	15.89 (403.62)
89	31.26 (794.03)	16.06 (407.9)
90	31.58 (802.19)	16.23 (412.19)

MimioProjector Mount



SPECIFICATIONS

Material	Steel / Aluminum Alloy / Plastic
Weight	2.9 kg (6.39 lb)
Dimensions (W x H x D)	110 mm x 215 mm x 637.5 mm (4.33 in. x 8.47 in. x 25.10 in.)
Max. Distance to Wall	535 mm (21.063 in.)
Weight Capacity	15 kg (33.07 lb)
Screw Type	M4
Wall Mount Tilt	Up to +/- 5°
Projector Tilt Angle	+/- 10°
Swivel	+/- 10°
Horizontal	+/- 20 mm (.79 in.)
Horizontal Angle	+/- 10°